

TM SERIES

PERFUME AND COSMETIC CARTON OVERWRAPPER



The overwrapper for perfume and cosmetic cartons specifically designed to meet the highest quality demands of the industry.

FEATURES:

- End fold overwrapper with bar or dot end seals and a discrete longitudinal seal on the spine of the carton providing an unrivalled quality of overwrap
- Servo motor driven vacuum belt film transfer with digital micro adjustment indicators for rapid size change
- Robust machine construction and multiple pack sensing systems to ensure high efficiency running and excellent product protection

OPTIONAL FEATURES:

- Film splitter with powered waste film winding system
- Separate pack transportation system through folding deck and end sealers
- Tear tape application system
- Printed film registration system



TM SERIES

OVERWRAPPING MACHINERY



TM SERIES

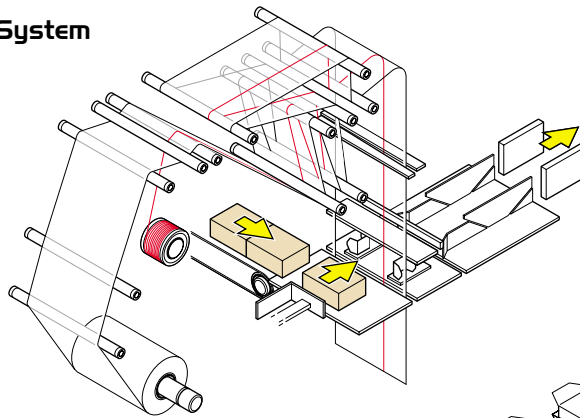
PERFUME AND COSMETIC CARTON OVERWRAPPER



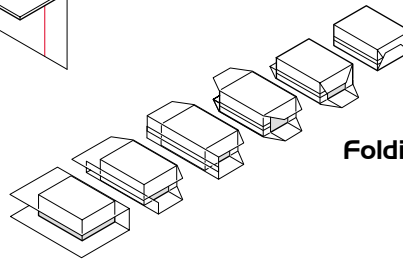
TM SERIES

OVERWRAPPING MACHINERY

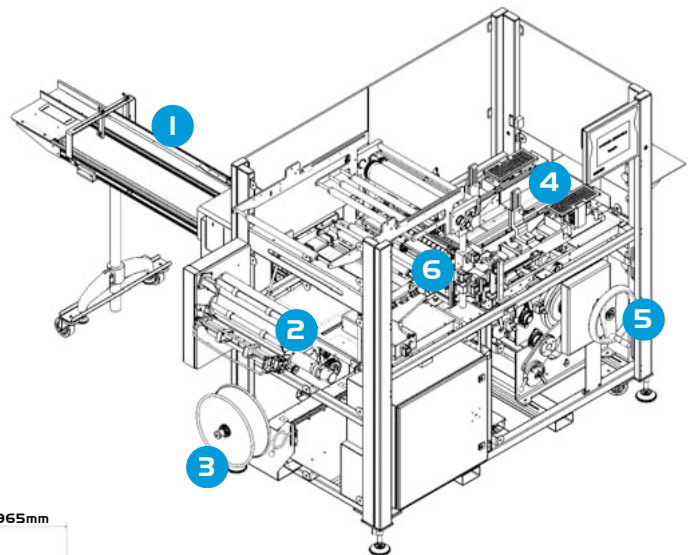
Wrapping System



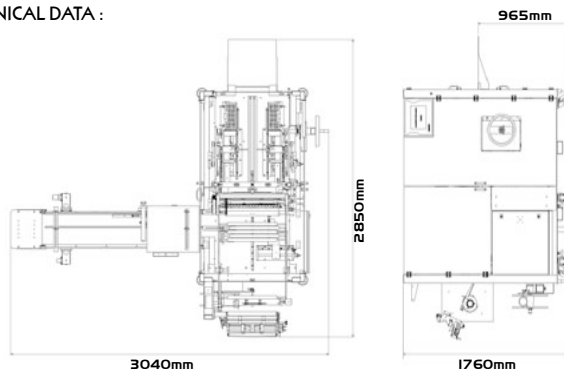
Folding Sequence



- 1 Products automatically fed by side mounted conveyor
- 2 Externally mounted cantilevered film reel
- 3 Waste film rewind system
- 4 End sealers which provide bar or dot style end seals
- 5 Handwheel for manual cycling of the machine
- 6 Vertical film curtain transported by servo driven vacuum belts



TECHNICAL DATA :



Wrap materials: Most heat sealable films and papers

Product size range:

Length (min): 45mm
 Length (max): 300mm
 Width (min): 37mm
 Width (max): 200mm
 Height (min): 10mm
 Height (max): 100mm
 Output: 50 packs/min
 Product sizes outside this range can be accommodated by special design

Size change: Rapid, de-skilled and repeatable changeover



Marden Edwards Limited

2 Nimrod Way
 Ferndown Industrial Estate
 Wimborne Dorset
 United Kingdom
 Tel: +44 (0) 1202 861200
 Fax: +44 (0) 1202 861400

Email: me@mardenedwards.com
 Web: www.mardenedwards.com

Involtec Sarl

7 Chemin du Gué du Thiou
 Forest
 77390 Chaumes-en-Brie
 France
 Tel: + 33 1 64 06 25 72
 Fax: + 33 1 64 16 04 61

Email: info@involtec.fr

